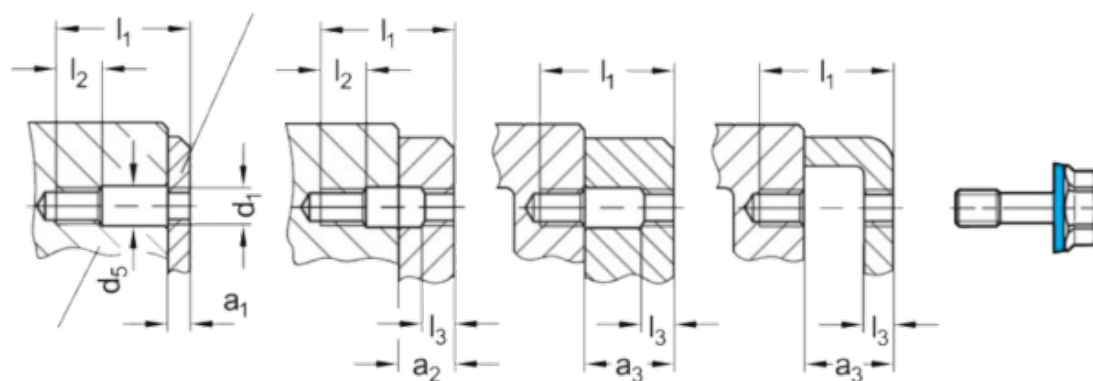
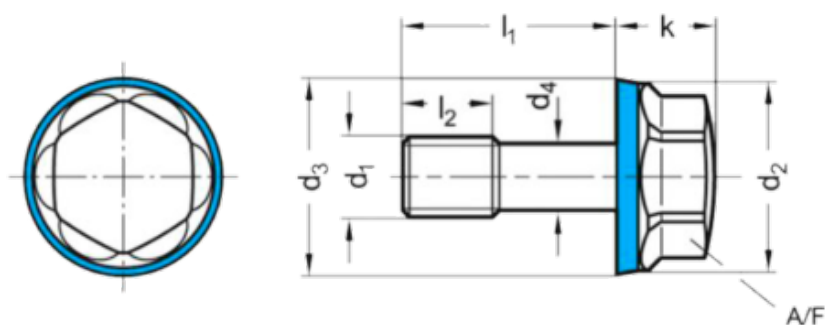


Article number: 201581M525MTE1

Description: E+G Nut GN 1582-M5-25-MT-E-1
Hygienic design

Measures



a1	= 6-11	l1	= 25
a2	= 11-14	l2	= 6
a3	= 14-19	l3	= 2.5
AF	= 8	Weight	= 6
d3	= 11.8		
d4 -0,2 = -			
d5	= 5.5		
k	= 7		